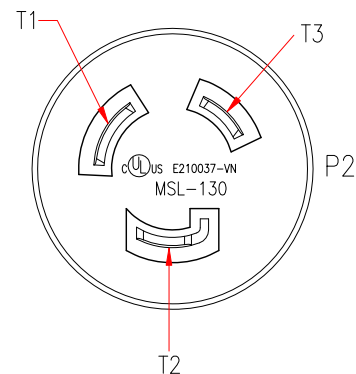
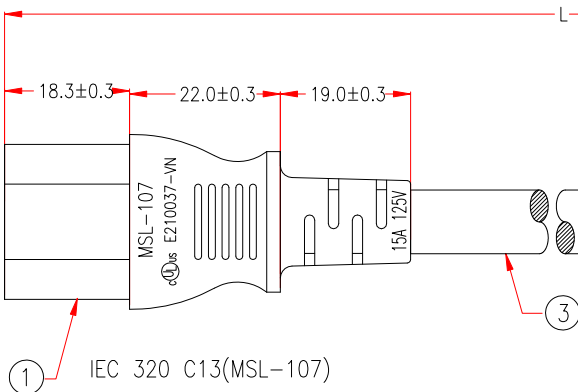
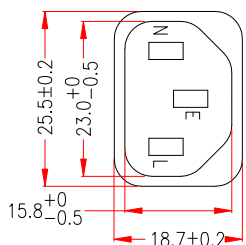


P2: M-005

P2: M-048A

Customer No.: No.:V1

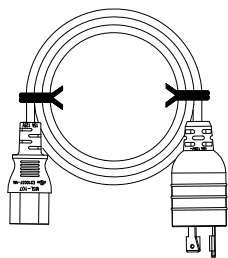
P1



P1,P2: cULus E210037-VN

P/N	LENGTH(L)
10W1-L52013-06	1830mm
10W1-L52013-08	2440mm
10W1-L52013-10	3050mm
10W1-L52013-12	3660mm
10W1-L52013-15	4570mm

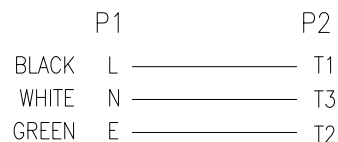
PACKING : >2FT



THE MARKING IS CONCAVE LETTERING MOULD:

(UL) SJT 3/C 14AWG(2.08MM<sup>2</sup>) VW-1 105°C 300V E204978 C(UL)  
SJT 3/C 2.08MM<sup>2</sup>(14AWG) FT2 105°C 300V E204978 MSL-VN-

PWCD-L520PC13-15A-XXF-BLK



NEMA L5-20P(MSL-130)

NOTE: All relevant materials are complied with RoHS directive .

3	UL SJT 14AWG x 3C, OD 9.3mm, JACKET BLACK, DRAWING No. EPSVT011403C-147	H5TC21-0304K09	L-20mm	M304	
2	MOLDED PVC 35P, COLOR BLACK	H1BC02-0304K09		M304	
	BRACKET: L5-20 (94V-0) MSL-130	A1QC63-0767K09		M767	
	TERMINAL: 97656BL-0 (T3)	A1QB39-0257	1	M257	
	TERMINAL: 97655BL-0 (T2)	A1QB41-0257	1	M257	
1	TERMINAL: 97654BL-0 (T1)	A1QB40-0257	1	M257	
	MOLDED PVC 35P, COLOR BLACK	H1BC02-0304K09		M304	
	BRACKET: YS-003	A1QC14-0767	1	M767	
	TERMINAL: 2*4mm 98744L	A1QB42-0257	3	M257	
No.	DESCRIPTION			Q'TY	Supplier

APPROVED

CHECKED

DESIGNER

DRAWING

DATE

HU

XJW

DAI

23/DEC/21

ITEM NO.



PWCD-L520PC13-15A-XXF-BLK

Cable Length  
Unless Other Spec.  
Tolerances:  
0 ~200mm ±10mm  
201~1000mm ±20mm  
1001 ~1500mm ±25mm  
1501~2100mm ±30mm  
2100mm↑ ±40mm

UNIT:mm

