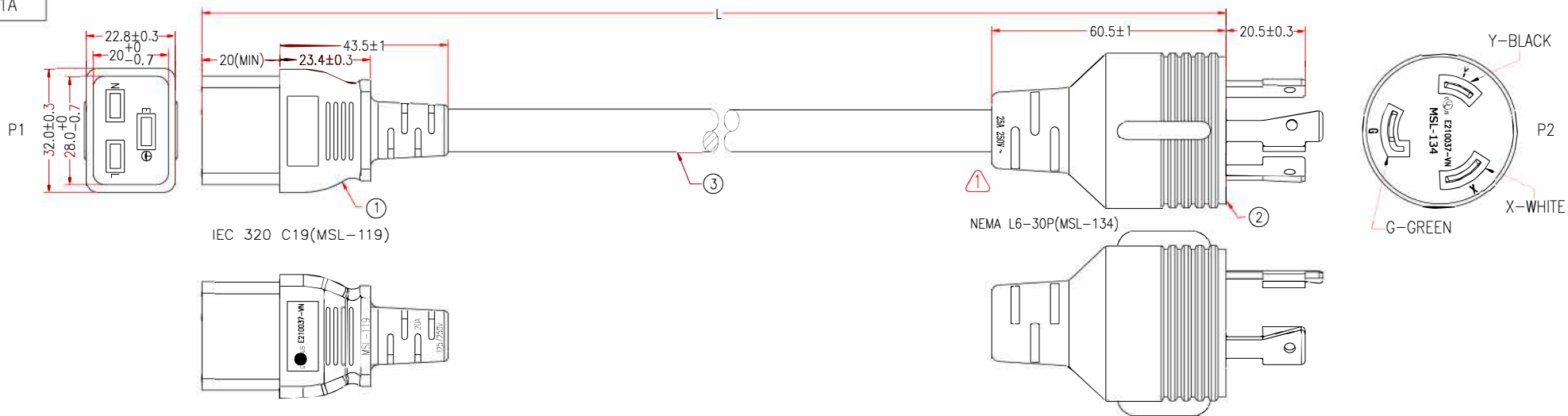


P1: M-042

P2: M-071A

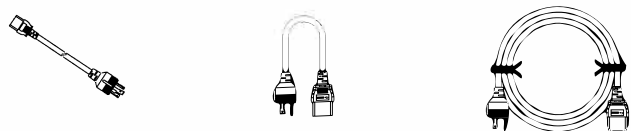
Customer No: No:1



P1,P2: E210037-VN

NOTE: All relevant materials are complied with RoHS directive .  
THE MARKING IS CONCAVE LETTERING MOULD:

PACKING A: ≤1FT    PACKING B: ≤2FT    PACKING C: >2FT



MARKING: (UL) SJT 3/C 12AWG(3.31MM<sup>2</sup>) VW-1 105°C 300V E204978  
C(UL) SJT 3/C 3.31MM<sup>2</sup>(12AWG) FT2 105°C 300V E204978 MSL-VN-

PWCD-L630PC19-20A-XXF-BLK

P1	P2
BLACK L	Y
WHITE N	X
GREEN E	G

3	UL SJT 12AWG x 3C, OD 11.0mm, JACKET BLACK, DRAWING No.EPSJT011203C-158	H5TC41-0304K09	L-20mm	M304
2	MOLDED PVC 35P, COLOR SEE LIST	H1BC02-0304		M304
	BRACKET: YST-FB-6-30P(NEMAL6-30P)	A1QC78-0767	1	M767
	TERMINAL: 95657	A1RQ34-0257	1	M257
	TERMINAL: 95658	A1RQ35-0257	1	M257
1	TERMINAL: 95659	A1RQ36-0257	1	M257
	MOLDED PVC 35P, COLOR BLACK	H1BC02-0304K09		M304
	BRACKET: YST-037, COLOR BLACK	A1QC36-0767K09	1	M767
	TERMINAL: 98739ABS-0	A1QB33-0257	3	M257
No.	DESCRIPTION		Q'TY	Supplier

APPROVED			Cable Length Unless Other Spec. Tolerances: 0 ~200mm ±10mm 201~1000mm ±20mm 1001 ~1500mm ±25mm 1501~2100mm ±30mm 2100mm↑ ±40mm
CHECKED	HU		
DESIGNER	XJW		
DRAWING	DAI		

DATE	18/NOV/22	ITEM NO.	PWCD-L630PC19-20A-XXF-BLK	UNIT:mm	
------	-----------	----------	---------------------------	---------	--