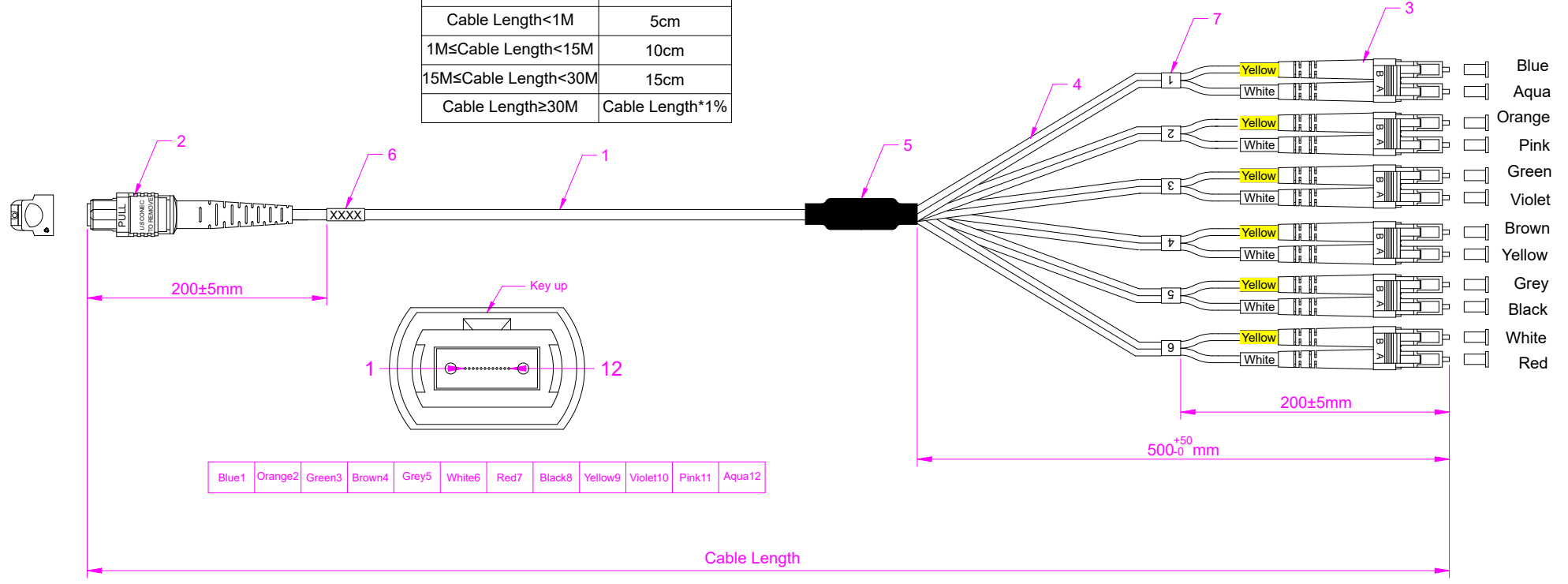



REV	MODIFICATION	UPDATE DATE	SIGNATURE

NOTES:
 Insertion loss $\leq 0.35\text{dB(MTP)}$ $\leq 0.2\text{dB(LC)}$
 Return loss $\geq 60\text{dB(MTP)}$ $\geq 55\text{dB(LC)}$

Cable Length	Tolerance
Cable Length < 1M	5cm
1M \leq Cable Length < 15M	10cm
15M \leq Cable Length < 30M	15cm
Cable Length $\geq 30\text{M}$	Cable Length * 1%



7	6		Cable Marker
6	1		Cable Label
5	1		Fanout Kit
4	A/R		OD: 2.0mm, Duplex OFNP Yellow Tube
3	6		LC/UPC SM Duplex 2.0mm Connector(Blue Housing White Boot)
2	1		MTP/APC Female SM Elite 3.0mm 12F USCONEC Connector (Green Housing Black Boot)
1	A/R		Ø3.0mm, Singlemode 9/125 G657A1, Corning Fiber, 12Fibers Micro Cable, OFNP, Color: Yellow

ITEM	QTY	P/N	FJ9MTPLC-XXM-12FR-X		SPECIFICATIONS							
			DRAW	HANGYU HU	DATE	27-03-2023	TITLE: Fiber Optic patch Cord MTP/APC(F)-LC/UPC 12Fibers Singlemode					
			CHECK		APPROVED		CUSTOMER NO		DWG NO		REV	A