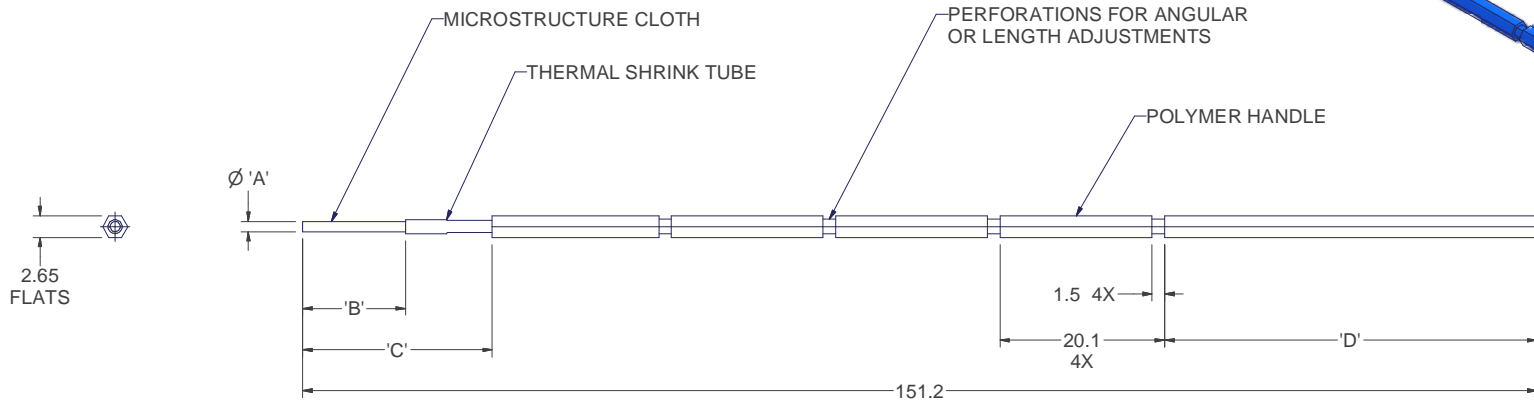


P/N	Ø 'A'	DIM 'B'	DIM 'C'	DIM 'D'	NTT-AT DESCRIPTION
7892	1.25	12.6	23.2	45.6	NEOCLEAN ATC-ST-Ø1N
7893	2.50	20.0	29.3	39.5	NEOCLEAN ATC-ST-Ø2N



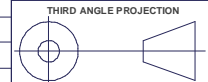
NOTES:

1. PACKAGING: SOLD AS A PACK
2. PACK IS COMPRISED OF 25 SET WITH 10 STICKS PER SET
3. SHIPPING WEIGHT: CASE OF P/N 7892 = 343g  
CASE OF P/N 7893 = 367g

USCONEC LTD. PROPRIETARY			
THIS DOCUMENT AND THE ASSOCIATED DATA CONTAIN RESTRICTED INFORMATION THAT IS USCONEC LTD. PROPERTY. DISCLOSE OR DUPLICATE FOR OTHERS ONLY AS AUTHORIZED BY USCONEC LTD.			
REV	DATE	DESCRIPTION	ECN
A	5/25/05	INITIAL RELEASE	00682
B	4/2/08	UPDATED NTT-AT DESCRIPTION AND PACKAGING NOTE	01010
C	1/29/09	ADDED SHIPPING WEIGHTS TO DRAWING	01103

CUSTOMER DRAWING

DIMENSIONS FOR REFERENCE ONLY



METRIC/mm

<b>USCONEC</b>		Hickory, NC 800-769-0944 <a href="http://www.usconec.com">www.usconec.com</a>	
TITLE <b>STICK, CLEANER, 1.25mm &amp; 2.50mm, PLASTIC</b>			
SIZE <b>B</b>	S&M Part No.: SEE TABLE	DWG NO. <b>C7892</b>	REV <b>C</b>
SCALE N.T.S.	Drafter M. YOUNT	Date: 5/25/2005	SHEET 1 OF 1

▲ DENOTES CRITICAL DIMENSION