

CHART:

ISO/IEC 11801, UL, ETL Verified TIA/EIA-568B.2-1 compliant, RoHS

L	T
L ≤ 1M	± 30MM
1M < L ≤ 5M	± 50MM
5M < L ≤ 10M	± 100MM
L > 10M	± 150MM

BK: RAL 9005, RD: RAL 3020, OR: RAL 1003, YL: RAL 1023,
 GN: RAL 6001, BL: RAL 5002, PP: RAL 5022, GY: RAL 1013,
 PK: RAL 3014

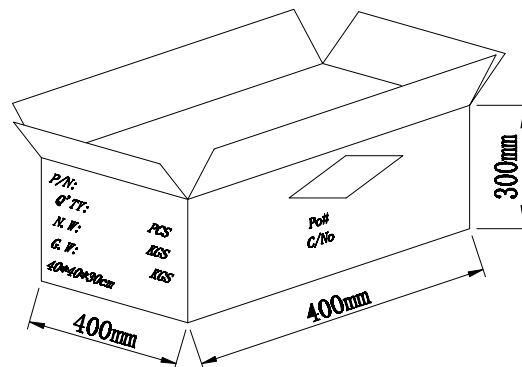
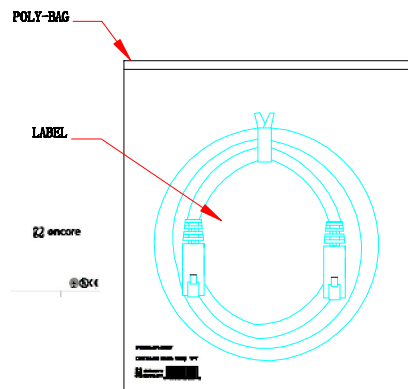
REMARK:

1. CABLE: UTP CAT. 6 CABLE 4P*24AWG PVC
2. CONN. : P1 & P2: 8P8C PLUG, GOLD PLATED.
3. LABEL FOR PLASTIC BAG
4. CABLE ASS'Y MUST PASS CONTINUITY TEST.
5. PACKING: EACH CABLE IN POLY-BAG.

WIRE CONNECTION

COLOR (568B)	P1	PAIRS	P2
WHITE/ORANGE	1	————	1
ORANGE	2	————	2
WHITE/GREEN	3	————	3
BLUE	4	————	4
WHITE/BLUE	5	————	5
GREEN	6	————	6
WHITE/BROWN	7	————	7
BROWN	8	————	8

PACKING



TOLERANCE			UNC		SCALE		UNIT		REV	
INCHES	M/M	INCHES								
. X	. 015	. 30	NONE	MM	⊕	REV	A			
. XX	. 010	. 10	1/1	MM	⊕	REV	A			
. XXX	. 005	. 05	DATE	05/01/12	DWG NO.					
DRAWN BY	Jack	SHEET		1/1	TITLE					
CHECK BY	Leo	DATE		05/01/12	8P8C PLUG/8P8C PLUG					
APPD BY	Susan	PART NO.		PC6-XXFT-XX						