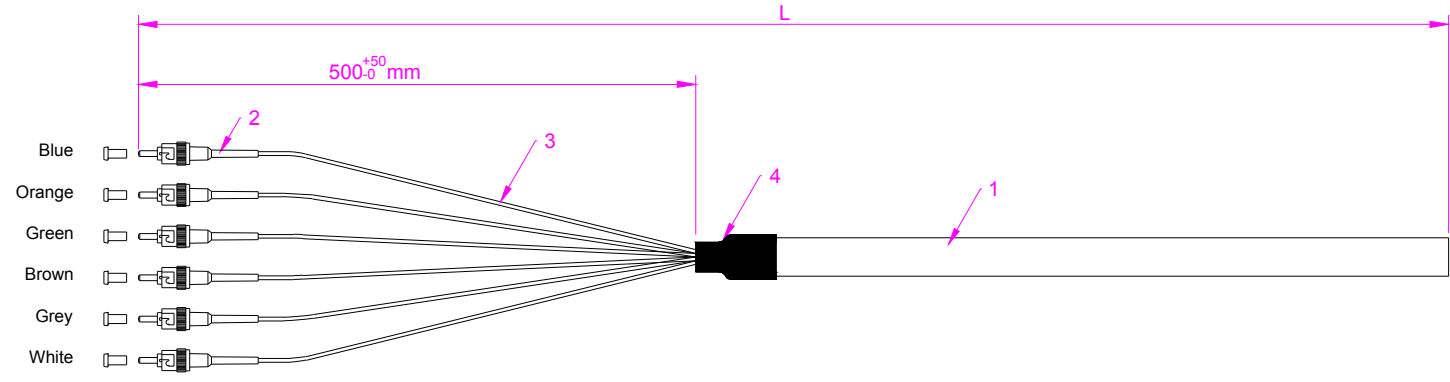
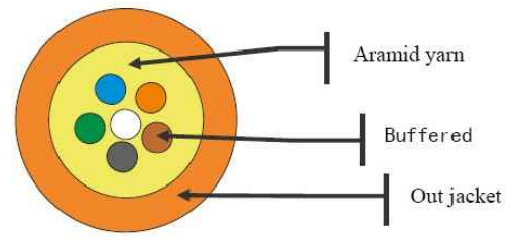


REV	MODIFICATION	UPDATE DATE	SIGNATURE



- Technical requirements:
- Performance requirements:
 - Insertion loss: $IL \leq 0.2\text{dB}$
 - Return loss: $RL \geq 55\text{dB}$
 - Fiber optic connectors meet IEC 61754, YDT1272 standards
 - Optical fiber cable in line with IEC60793-1, IEC 60794 standards
 - Fiber optic jumper complies with IEC 61300, GR-326, TIA/EIA568-B standards



Cable Length	Tolerance
Cable Length < 1M	5cm
1M ≤ Cable Length < 15M	10cm
15M ≤ Cable Length < 30M	15cm
Cable Length ≥ 30M	Cable Length * 1%

Requirements Of Cable					
Cable Type				Fiber Type	G657A1
Cable Diameter	5.0mm	Attenuation	@1310nm ≤ 0.4dB/km		
Cable Material	PVC		@1550nm ≤ 0.3dB/km		
Tensile Strength	Long Term	130 N	Crush Resistance	Long Term	300 N/100mm
	Short Term	430 N		Short Term	1000 N/100mm
Bending Radius	Static	/	Temperature Range	Storage Temperature	-20°C ~ +70°C
	Dynamic	/		Operating Temperature	-20°C ~ +70°C

4	1		Shrinkage Tube
3	A/R		0.9mm, Simplex, 6 Colors, Hytrel
2	6		ST/UPC SM Simplex 0.9mm Connector (Matel Housing Yellow Boot)
1	A/R		Ø:5.0mm, Singlemode 9/125 G657A1, Corning fiber, 6 fibers Distribution Cable, PVC, Color: Yellow

ITEM	QTY	P/N	SPECIFICATIONS									
			DRAW	Taylor Scott	DATE	13-08-2021	TITLE: Pigtail ST/UPC 6 Fibers Singlemode					
			CHECK	<i>Lihuanhuan</i>	APPROVED		CUSTOMER NO		DWG NO	FJ9STX-XXM-6FR	REV	A