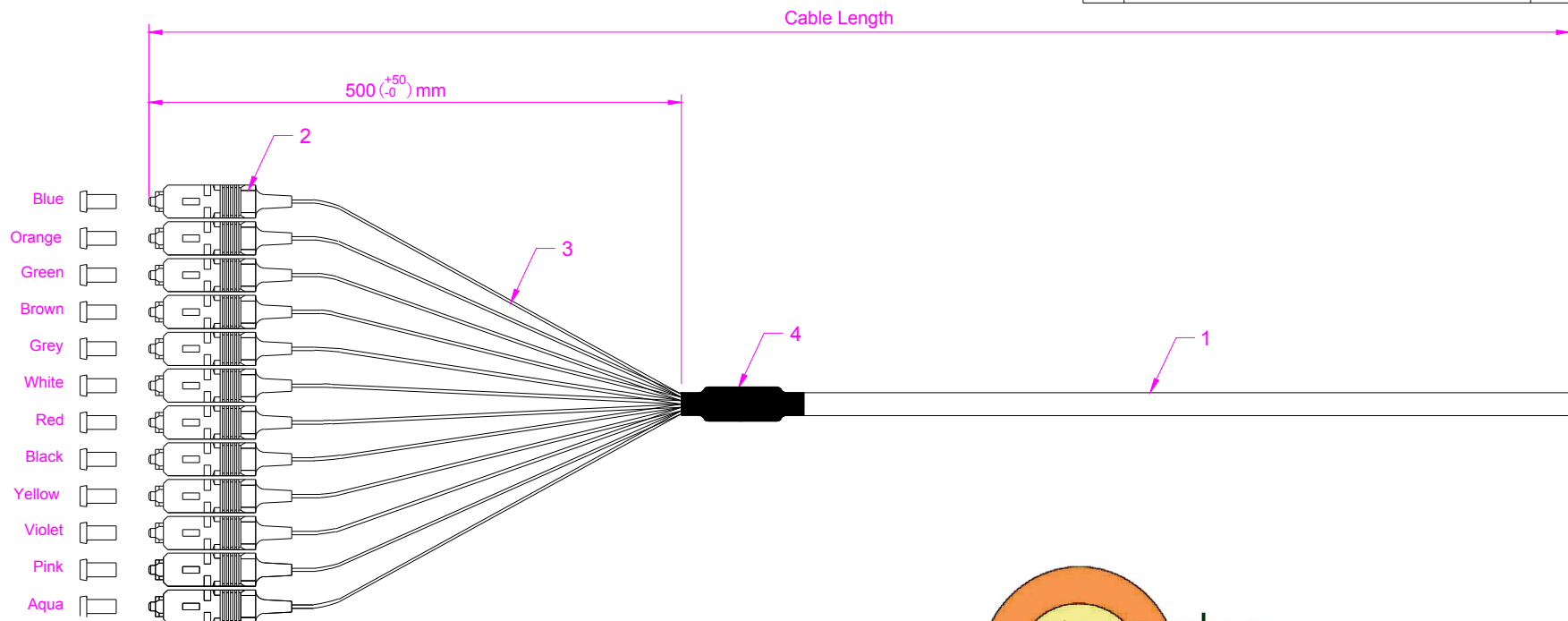
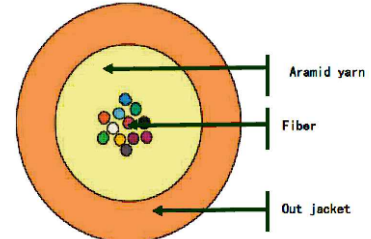


REV	MODIFICATION	UPDATE DATE	SIGNATURE




Technical requirements:
 1. Performance requirements:
 Insertion loss: IL ≤ 0.2dB
 Return loss: RL ≥ 60dB
 2. Fiber optic connectors meet IEC 61754, YDT1272 standards
 3. Optical fiber cable in line with IEC60793-1, IEC 60794 standards
 4. Fiber optic jumper complies with IEC 61300, GR-326, TIA/EIA568-B standards



Cable Length	Tolerance
Cable Length < 1M	5cm
1M ≤ Cable Length < 15M	10cm
15M ≤ Cable Length < 30M	15cm
Cable Length ≥ 30M	Cable Length * 1%

Requirements Of Cable					
Cable Type				Fiber Type	G657A1
Cable Diameter	3.0mm	Attenuation	@1310nm ≤ 0.03dB/km		
Cable Material	PVC		@1550nm ≤ 0.02dB/km		
Tensile Strength	Long Term	80 N	Crush Resistance	Long Term	150 N/100mm
	Short Term	160 N		Short Term	500 N/100mm
Bending Radius	Static	/	Temperature Range规格	Storage Temperature	-20°C ~ +60°C
	Dynamic	/		Operating Temperature	-20°C ~ +60°C

4	1	Fanout Kit
3	A/R	Ø0.9mm Simplex PVC Color:Yellow
2	12	SC/APC SM Simplex 0.9mm Connector (Green Housing Green Boot)
1	A/R	OD: 3.0mm, Singlemode 9/125 G657A1, Corning Fiber 12 fibers Micro Cable, PVC, Color: Yellow

ITEM	QTY	P/N	SPECIFICATIONS				
			DRAW	DATE	09-12-2021	TITLE: Pigtail SC(APC) 12Fibers Singlemode	
CHECK	lihuankuan	APPROVED	CUSTOMER NO	DWG NO	FJ9SCAX-XXM-12FR	REV	A