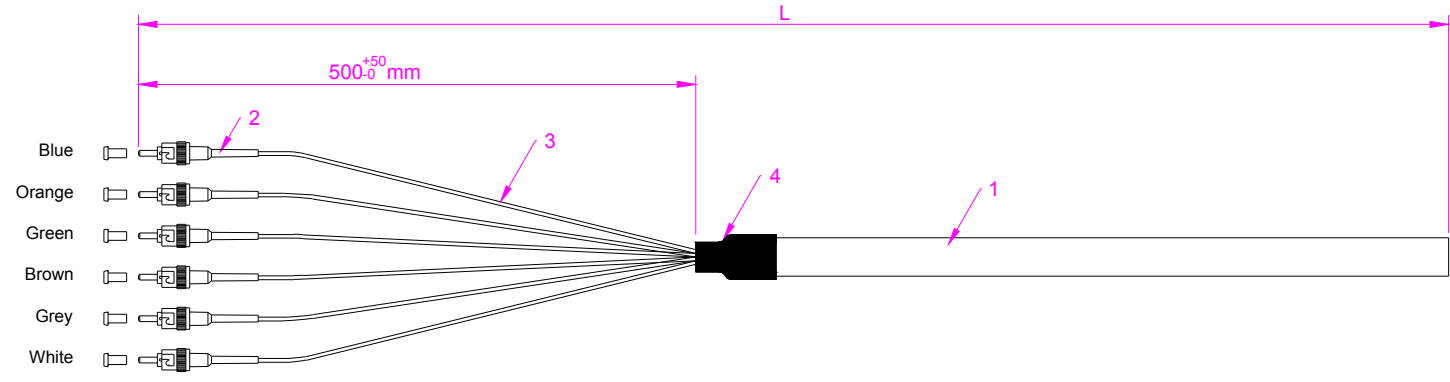
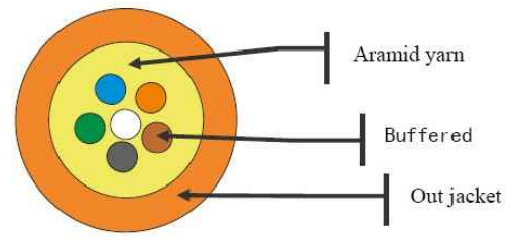


REV	MODIFICATION	UPDATE DATE	SIGNATURE



- Technical requirements:
- Performance requirements:  
 Insertion loss:  $IL \leq 0.2\text{dB}$   
 Return loss:  $RL \geq 35\text{dB}$
  - Fiber optic connectors meet IEC 61754, YDT1272 standards
  - Optical fiber cable in line with IEC60793-1, IEC 60794 standards
  - Fiber optic jumper complies with IEC 61300, GR-326, TIA/EIA568-B standards



Cable Length	Tolerance
Cable Length < 1M	5cm
1M ≤ Cable Length < 15M	10cm
15M ≤ Cable Length < 30M	15cm
Cable Length ≥ 30M	Cable Length * 1%

Requirements Of Cable					
Cable Type				Fiber Type	OM3-150
Cable Diameter	5.0mm	Attenuation	@850nm ≤ 3.5dB/km		
Cable Material	PVC		@1300nm ≤ 1.5dB/km		
Tensile Strength	Long Term	130 N	Crush Resistance	Long Term	300 N/100mm
	Short Term	430 N		Short Term	1000 N/100mm
Bending Radius	Static	/	Temperature Range	Storage Temperature	-20°C ~ +70°C
	Dynamic	/		Operating Temperature	-20°C ~ +70°C

4	1		Shrinkage Tube
3	A/R		0.9mm, Simplex, 6 Colors, Hytrel
2	6		ST/UPC MM Simplex 0.9mm Connector (Metal Housing Black Boot)
1	A/R		Ø:5.0mm, Multimode 50/125 OM3-150, Corning fiber, 6 fibers Distribution Cable, PVC, Color: Aqua

ITEM	QTY	P/N	SPECIFICATIONS			
DRAW			Taylor Scott	DATE	13-08-2021	TITLE: Pigtail ST/UPC 6 Fibers Multimode
CHECK			<i>Chuanhuan</i>	APPROVED	CUSTOMER NO	DWG NO FJ5GSTX-XXM-6FR
REV						A

