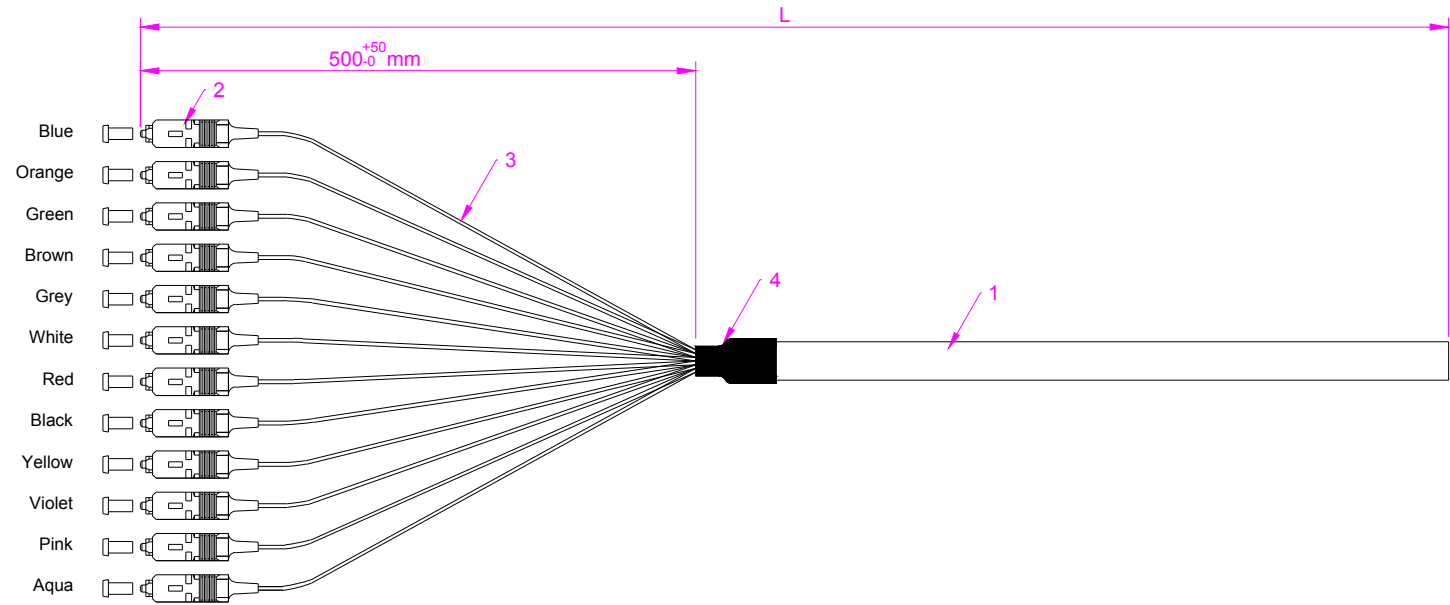
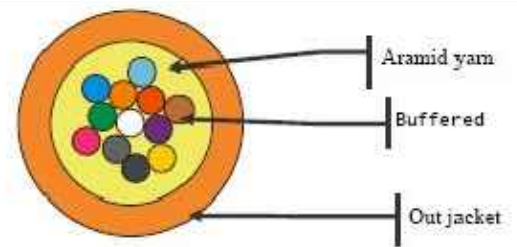


REV	MODIFICATION	UPDATE DATE	SIGNATURE



**Technical requirements:**

- Performance requirements:  
 Insertion loss:  $IL \leq 0.2\text{dB}$   
 Return loss:  $RL \geq 35\text{dB}$
- Fiber optic connectors meet IEC 61754, YDT1272 standards
- Optical fiber cable in line with IEC60793-1, IEC 60794 standards
- Fiber optic jumper complies with IEC 61300, GR-326, TIA/EIA568-B standards



Cable Length	Tolerance
Cable Length < 1M	5cm
1M ≤ Cable Length < 15M	10cm
15M ≤ Cable Length < 30M	15cm
Cable Length ≥ 30M	Cable Length * 1%

Requirements Of Cable					
Cable Type				Fiber Type	OM3-150
Cable Diameter	6.2mm	Attenuation	@850nm ≤ 3.5dB/km		
Cable Material	PVC		@1300nm ≤ 1.5dB/km		
Tensile Strength	Long Term	130 N	Crush Resistance	Long Term	300 N/100mm
	Short Term	430 N		Short Term	1000 N/100mm
Bending Radius	Static	/	Temperature Range	Storage Temperature	-20°C ~ +70°C
	Dynamic	/		Operating Temperature	-20°C ~ +70°C

4	1	Shrinkage Tube
3	A/R	0.9mm, Simplex, 12 Colors, Hytel
2	12	SC/UPC MM Simplex 0.9mm Connector (Beige Housing Beige Boot)
1	A/R	Ø:6.2mm, Multimode 50/125 OM3-150, Corning fiber, 12 fibers Distribution Cable, PVC, Color: Aqua

ITEM	QTY	P/N	SPECIFICATIONS			
------	-----	-----	----------------	--	--	--

	DRAW	Taylor Scott	DATE	13-08-2021	TITLE: Pigtail SC/UPC 12 Fibers Multimode					
	CHECK	<i>Lihuanhuan</i>	APPROVED		CUSTOMER NO		DWG NO	FJ5GSCX-XXM-12FR	REV	A