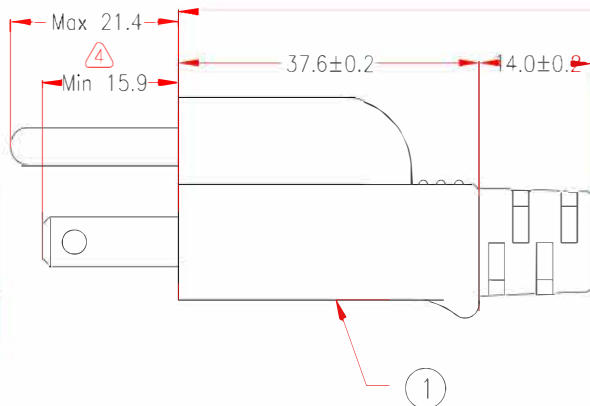
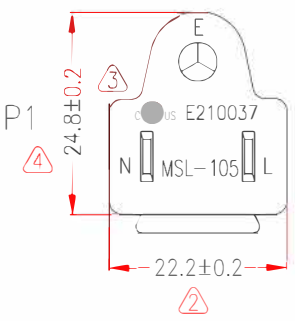


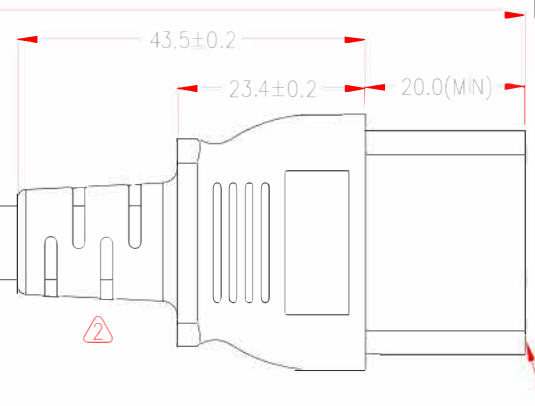
P1: M-003

P2: M-042

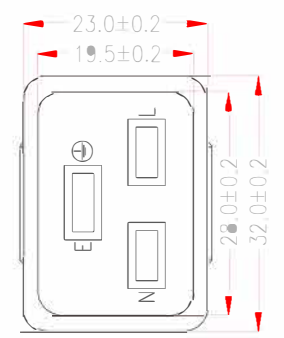
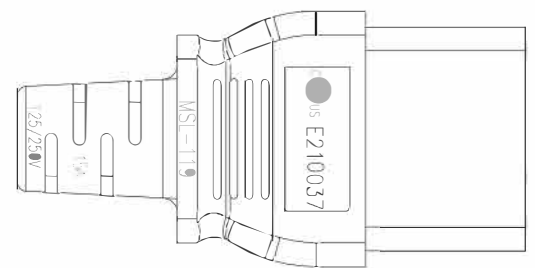
Customer No.: NO.1



NEMA 5-15P( MSL-105)



IEC 320 C19(MSL-119)

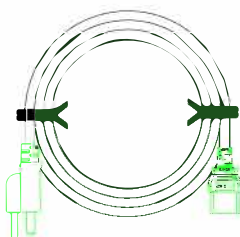
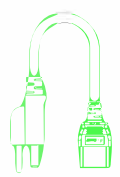


P2

PACKING A: <1FT

PACKING B: <2FT

PACKING C: >2FT



MARKING:

(UL) SJT 3/C 14AWG(2.08MM<sup>2</sup>) VW-1 105°C 300V E204978  
 CSA SJT 3/C 2.08MM<sup>2</sup>(14AWG) FT2 105°C 300V 204790 MSL

	P1	P2
BLACK	L _____ L	
WHITE	N _____ N	
GREEN	E _____ E	

P1: E210037 P2: E210037

NOTE: All relevant materials are complied with RoHS directive . THE CABLE MARKING IS CONCAVE LETTERING MOULD

3	UL SJT 14AWG x 3C, OD 9.3mm, JACKET BLACK, DRAWING No. EPSVT011403C-147	H5TC21-0304K09	L-30mm	M304
2	MOLDED PVC 35P, COLOR BLACK	H1BC02-0304K09		M304
	BRACKET: YST-037	A1QC36-0767	1	M767
1	TERMINAL: 98739ABS-0	A1QB33-0257	3	M257
	MOLDED PVC BLACK, 35P	H1BC02-0304K09		M304
	BRACKET: YS-002	A1QC07-0767	1	M767
1	TERMINAL: 98661BS-1	A1QB01-0257	2	M257
	TERMINAL: 4.75mm, 98475BS-1	A1QB06-0257	1	M257
No.			Q'TY	Supplier

APPROVED					Cable Length Unless Other Spec. Tolerances: 0 ~200mm ±10mm 201~1000mm ±20mm 1001~1500mm ±25mm 1501~2100mm ±30mm 2100mm±40mm
CHECKED	HU	25/MAR/18	DRAWN NAME	POWER SUPPLY CORDS & CORDS SETS	
DRAWING	ZHU	25/MAR/18	PRODUCT NO.	PWCD-515PC19-15A-xxF-BLK	UNIT: mm

REV.3 2017.09.12 MODIFY MODER LOGO & CABLE REV.4 2018.04.25 MODIFY P1 MOLDED SIZE

REV.1 2013.01.18 MODIFY PACKING REV.2 2015.10.22 MODIFY MOLDED

NOTE: Cable Length Unless Otherwise Spec. Tolerances: Under 6FT ±25mm; Another ±50mm